

Ducts tested according to NF / EN 1366-1 – Classification according to NF / EN 13501-3

Performance of circular horizontal ventilation ducts

FIBROGAINE® thickness	E	I	t	ve	ho	i	<—>	O	S
67 mm	E	I	90	-	ho	i	<—>	O	S
75 mm	E	I	120	-	ho	i	<—>	O	S

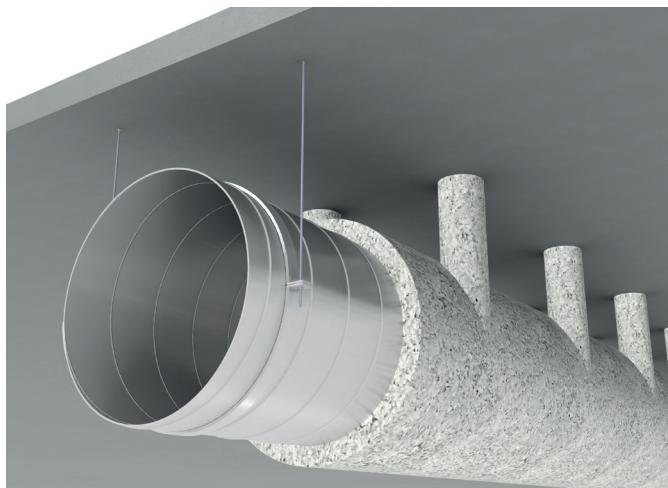


Diagram 1 – Duct assembly

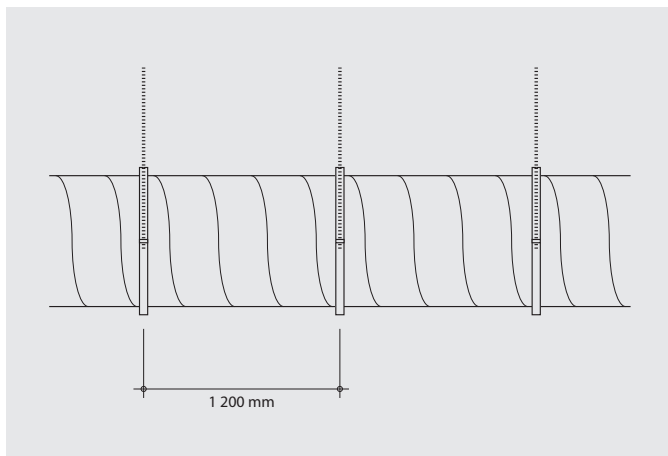
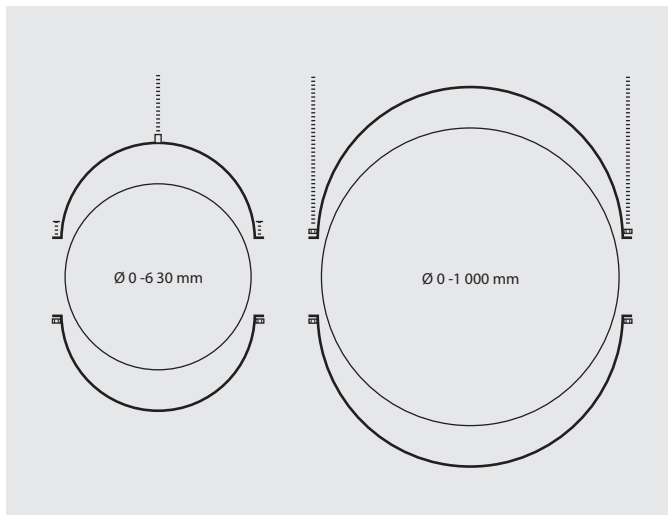


Diagram 2 – Supporting principle



Area of validity

- Circular horizontal ducts
- Duct diameter between 0 and 1000 mm
- Maximum section length: 3000 mm
- Duct sheet metal thickness

Duct diameter (mm)	0 - 250	251 - 560	561 - 1 000
Minimum sheet thickness (mm)	5/10	6/10	8/10

- Maximum centre-to-centre spacing of support systems: 1200 mm
- FIBROGAINE® density: 247 kg/m³ ± 15 %
- Negative/positive pressure: ± 500 Pa

Duct installation principle

The duct is composed of sections with a maximum length of 3000 mm. These components are joined with a 200 mm wide sleeve attached to the sections with 4.5 x 16 mm self-tapping screws spaced 200 mm apart around the perimeter of the duct.

The section joints are sealed using an A1 acrylic sealant. The duct body is supported with 1.20 m spacing (see diagram 1).

The support system is composed of (see diagram 2):

- Ø ≤ 630 mm: two half-brackets attached together by M6 nuts and bolts and supported in the centre by a single threaded rod
- Ø ≤ 1000 mm: two half-brackets attached together and supported on each side by a threaded rod.

Protection installation principle

Duct body protection

- A first layer approximately 30 mm thick of FIBROGAINE® is applied to the duct (without primer).
- A 25 mm hexagonal grate (Ø = 0.8 mm) is then installed all around the duct.
- A second layer of FIBROGAINE® is applied to achieve the desired final thickness.

Protection of support systems

The half-brackets are contained in the duct body protection. The threaded rods can be protected by a rock wool shell (30 mm, 65/70 kg/m³) as well as FIBROGAINE® or by installing a grate and applying FIBROGAINE®. In both cases, the total thickness of the protection (shell + FIBROGAINE® or FIBROGAINE® only) will have a thickness identical to that applied to the duct.